



Jinchang Electron Global Service

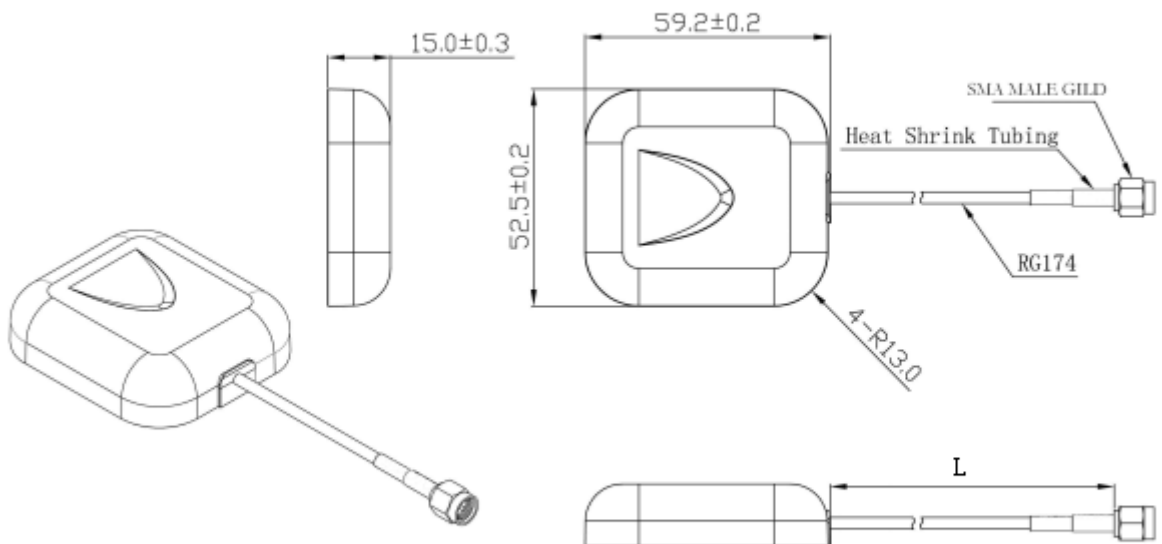
北斗天线测试标准参数

GPS&COMPASS (北斗) Active Antenna

**JCA057**



## DIMENSIONS



Unit: mm

JIAXING JINCHANG ELECTRONIC TECHNOLOGY CO.,LTD

Add: 398#, Zhenye Road, South Street, Jiaxing, Zhejiang, China

Http:// www.jinchanggps.com

E-mail: jcgps@vip.163.com

Tel: 86-0573-83692157/83692605/83958637 Fax: 86-0573-83958635

**SPECIFICATIONS**

Item	Specifications	
Antenna	Center Frequency	1568 ± 1MHZ
	Band Width	CF ± 9MHZ
	Polarization	RHCP
	Gain	2dBic (Zenith)
	V.S.W.R	< 1.5
	Impedance	50 Ω
	Axial Ratio	3dB (max)
	Dimension	25*25*4mm
LNA	Gain	30 ± 2dB
	Noise Figure	< 1.0
	Filter Insertion Loss	< 2dB
	Ex-band Attenuation	12dB @ CF+50MHz/16dB @ CF-50MHz
	Supply Voltage	2.2~5V DC
	Current Consumption	≤ 15mA @ 3.3V
	V.S.W.R	< 2.0
Mechanical	Cable	RG174/L
	Connector	SMA
	Radome Material	ABS
	Mounting Method	Magnet/3M
Environmental	Operating Temperature	-40°C ~ +85°C
	Relative Humidity	Up to 95%
	Ingress Protection	IP67
	Vibration	10 to 55Hz with 1.5mm amplitude 2hours

**Radiation Pattern**

